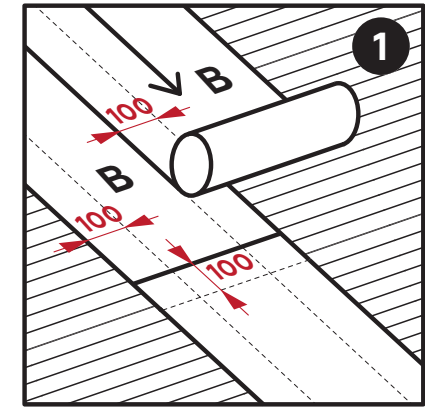
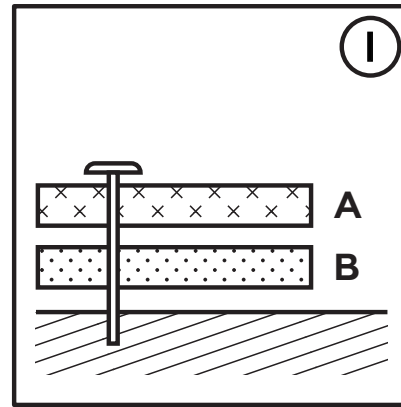
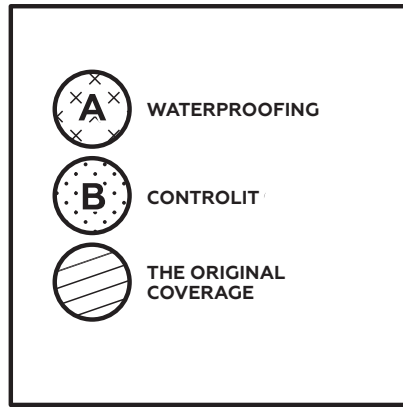


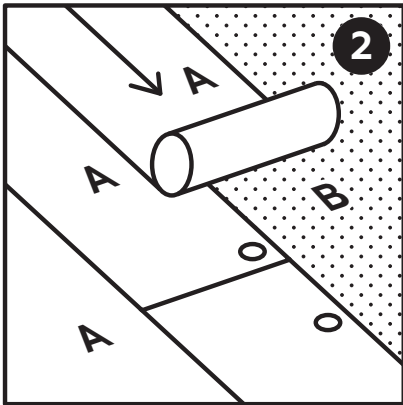
TYPE 1

CONTROLIT UNDER MECHANICALLY FIXED ONE LAYER WATERPROOFING

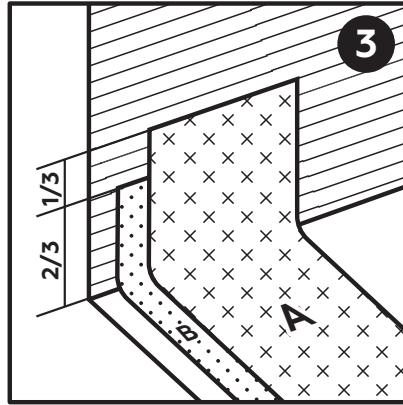


1. Roll out Controlit on the surface with 100mm overlap

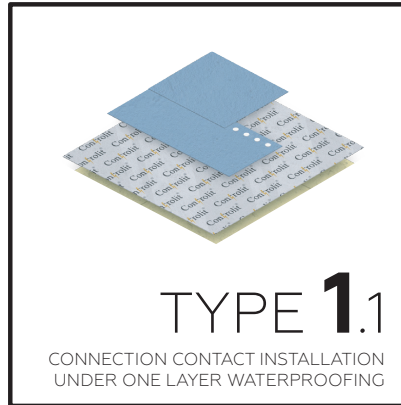
www.controlitfactory.eu



2. Mechanically fix the waterproofing

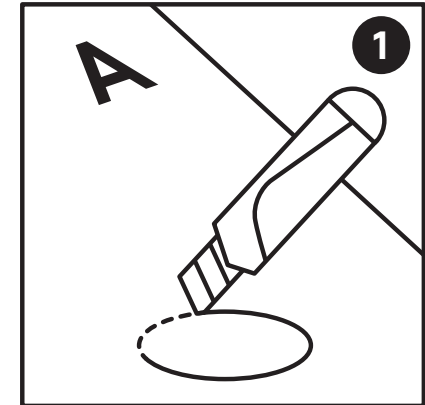


3. On vertical surfaces Controlit is always 1/3 below waterproofing level

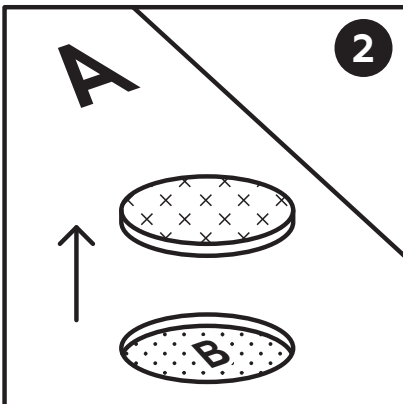


TYPE 1.1

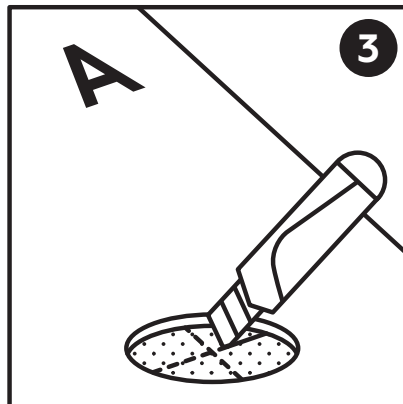
CONNECTION CONTACT INSTALLATION UNDER ONE LAYER WATERPROOFING



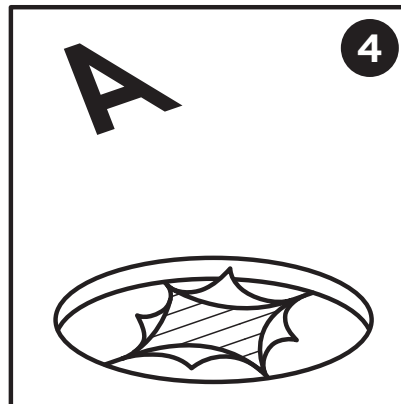
1. Cut out 100mm in diameter hole from the waterproofing



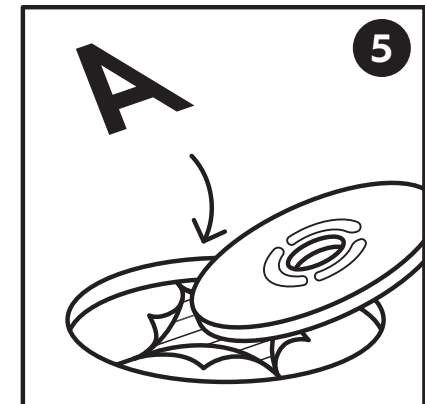
2. Take out the cut detail



3. Cut the two lines in the cross shape in Controlit



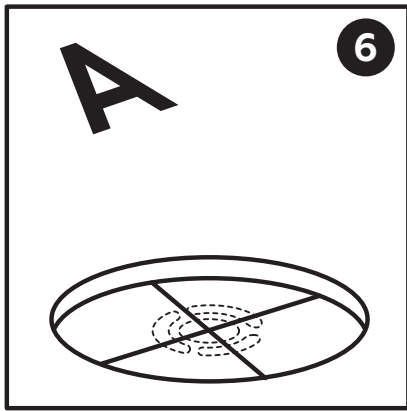
4. Now you can freely unfold the Controlit



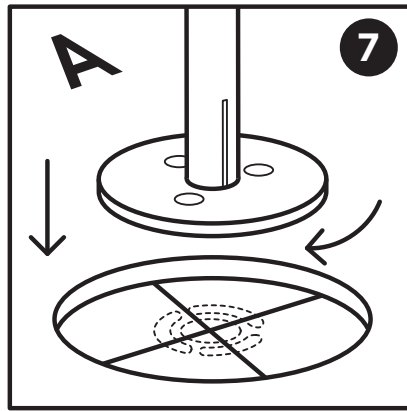
5. Install A detail below unfolded Controlit



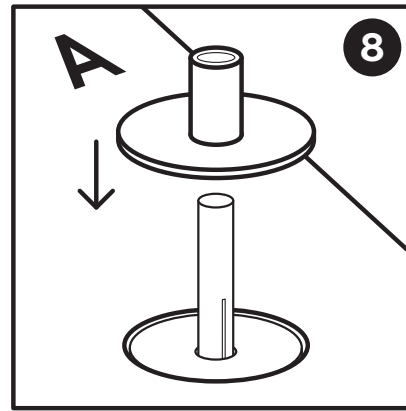
1.1



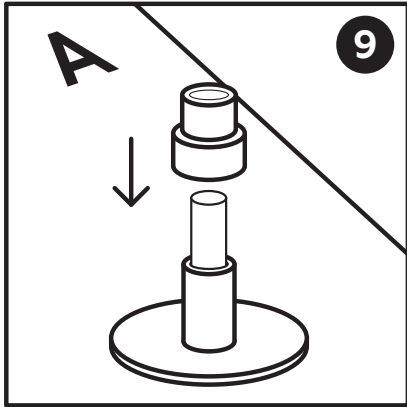
6. Fold back unfolded Controlit



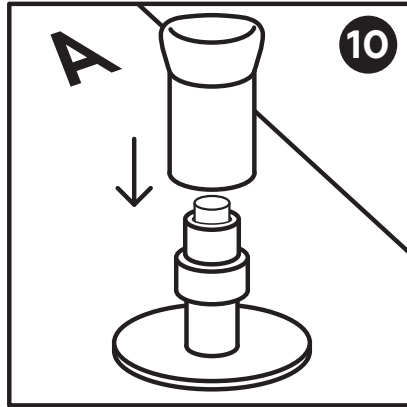
7. Install B detail. Controlit is not between A and B details



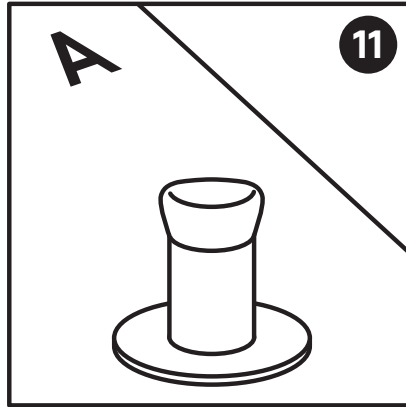
9. Install D detail



10. With hot air or flame shrink E detail



11. Apply F detail



12. Ready connection contact

